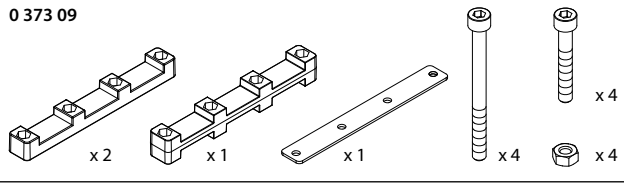
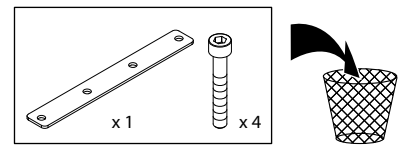
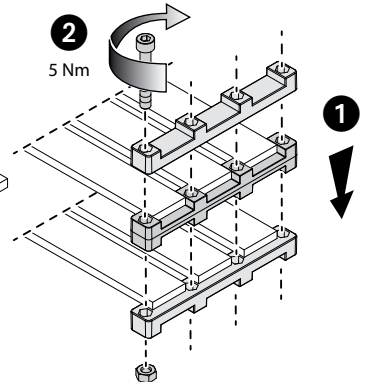
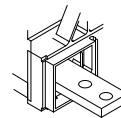
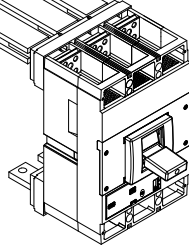
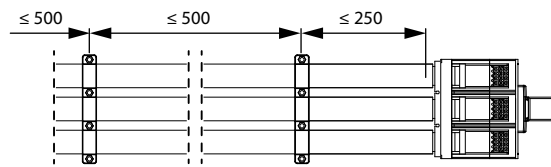
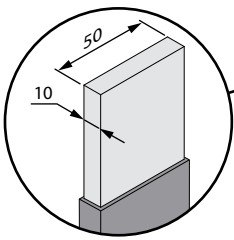
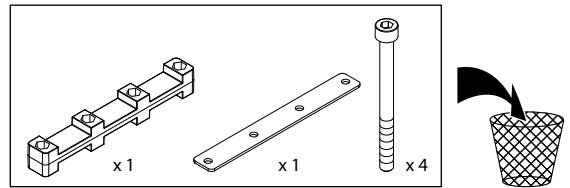
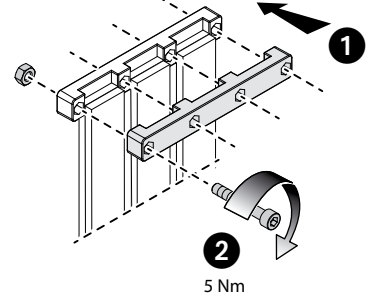
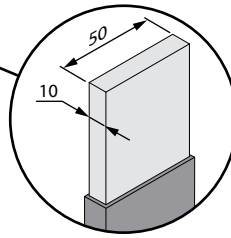
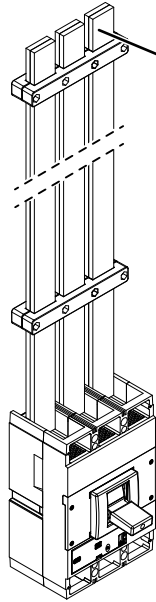
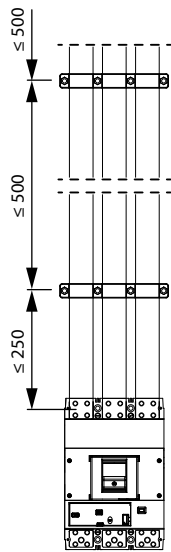


0 373 09

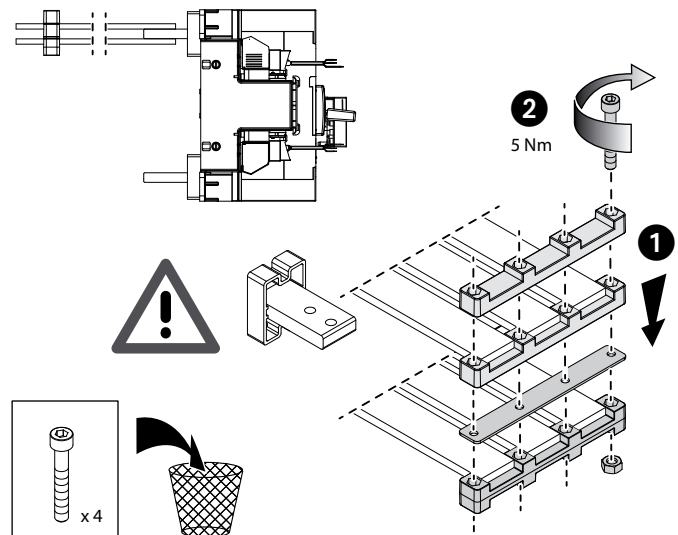
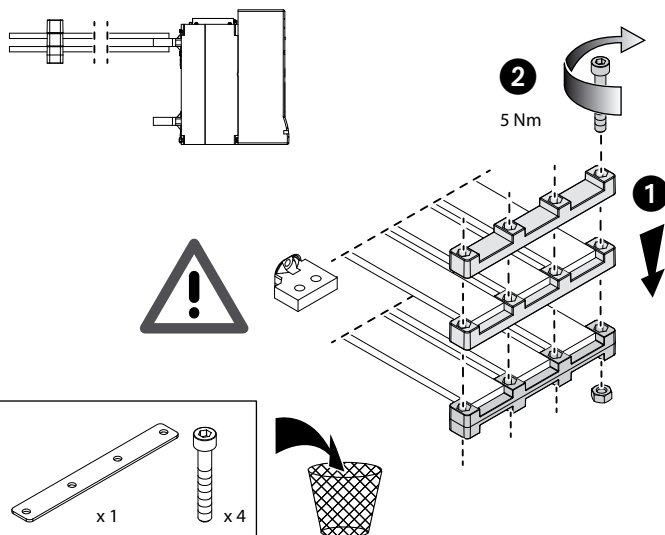


MCCB 1600 - In 1000 ÷ 1600 - 3 P

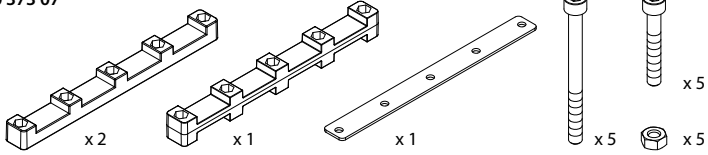


Acb 1600 - In 1000 ÷ 1600 - 3 P

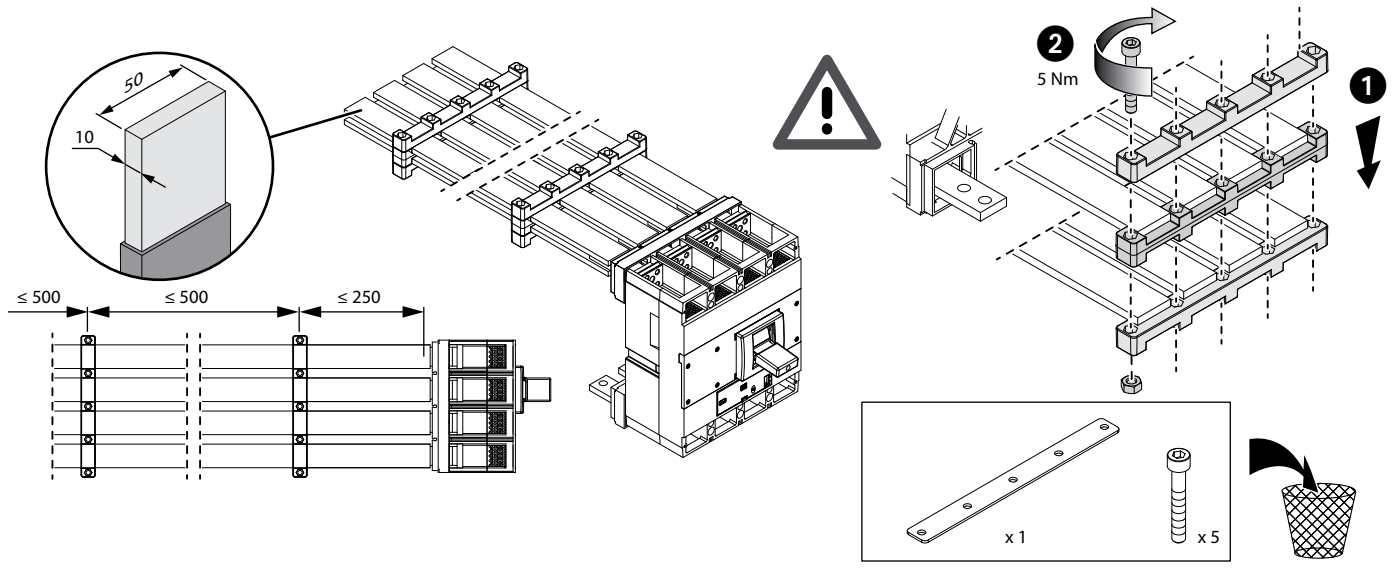
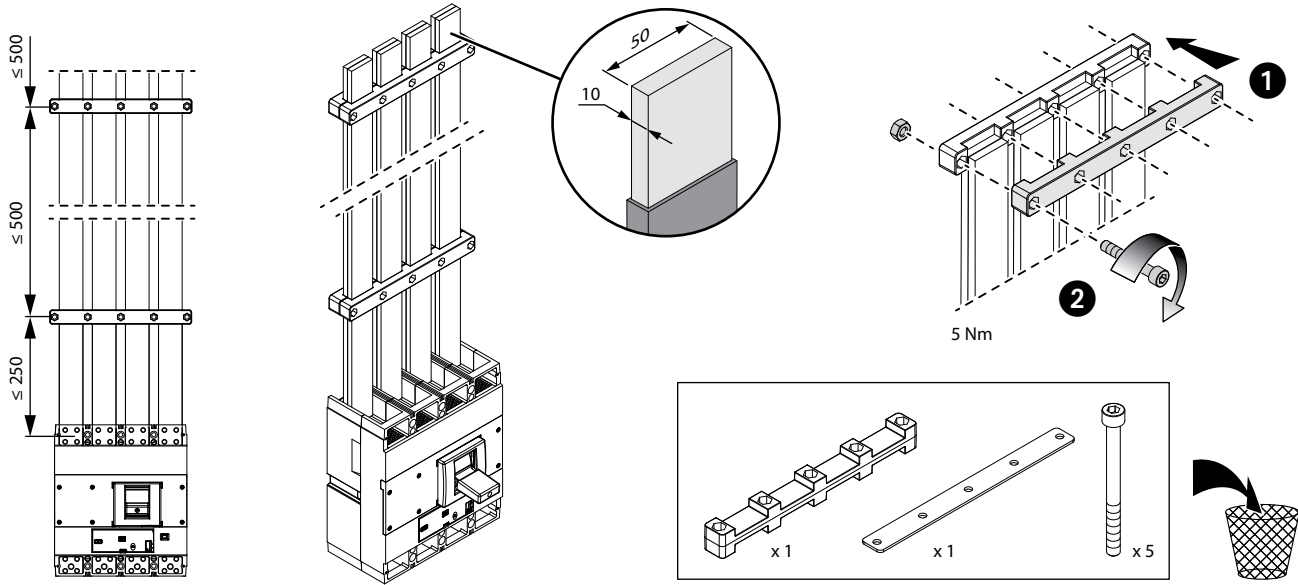
MCCB 1600 - In 1000 ÷ 1600 - 3 P



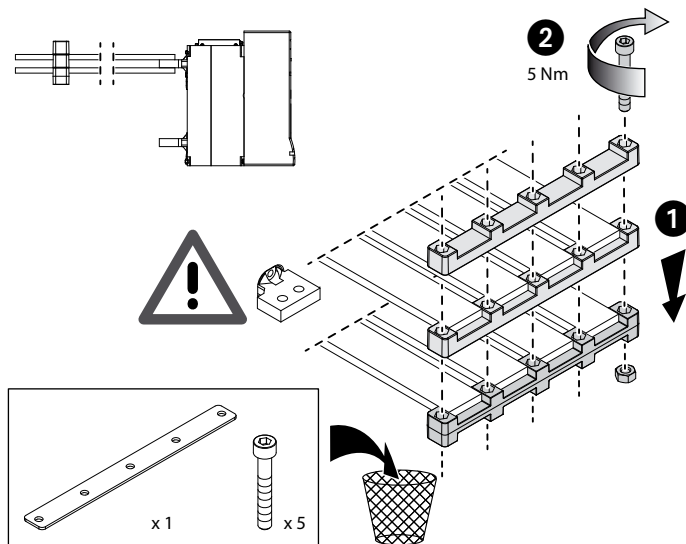
0 373 07



MCCB 1600 - In 1000 ÷ 1600 - 4 P



Acb 1600 - In 1000 ÷ 1600 - 4 P



MCCB 1600 - In 1000 ÷ 1600 - 4 P

